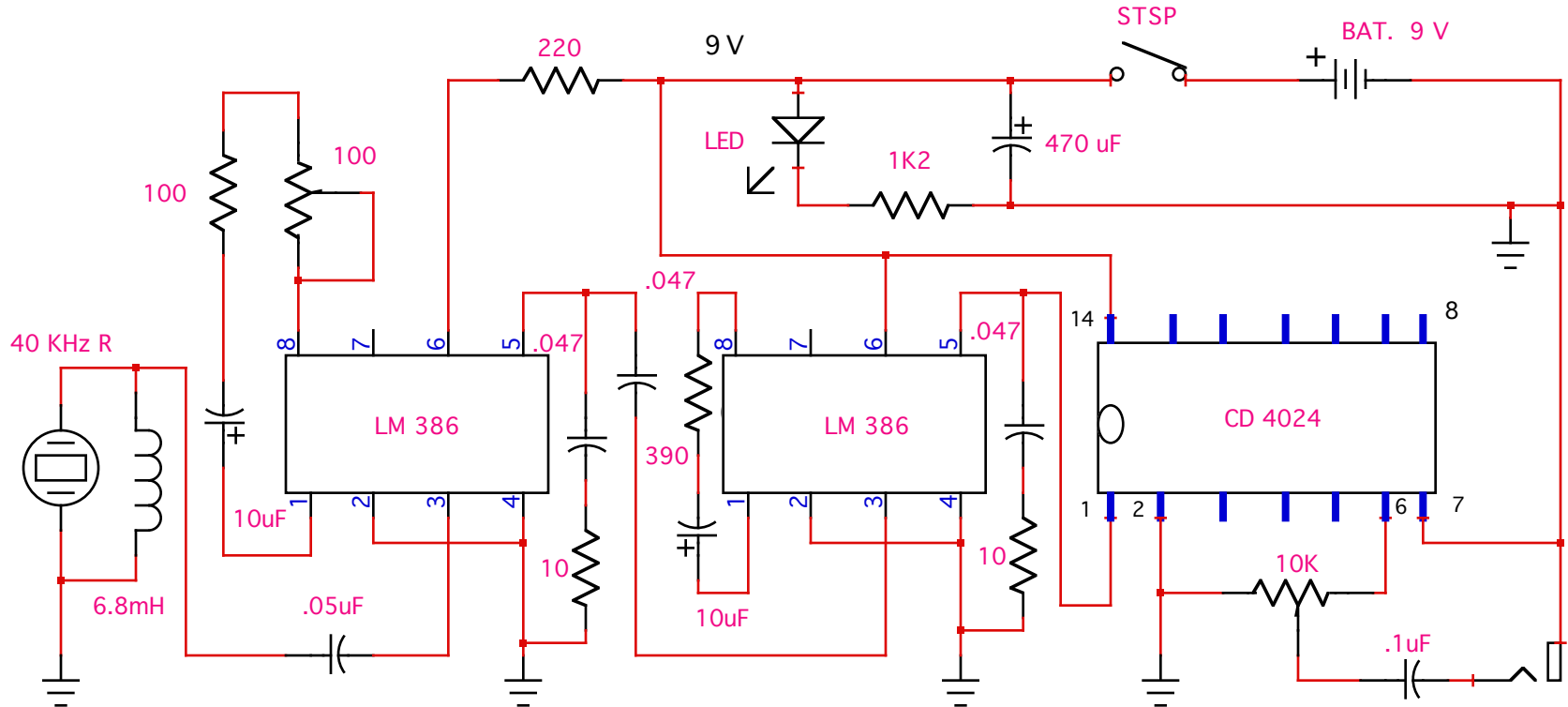


Frequency Division Bat Detector



- Notes:**
- 40 KHz is a receive Transducer
 - Watch polarity of Caps, LED
 - A crystal or ceramic earphone is used
 - 10K trim pot is for volume
 - 100 ohm trim pot for gain adjust
 - Pin 6 of 4024 is divide by 16
 - 6.8 mH inductor is for detuning

Earphone jack